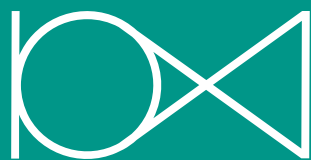




GHOST S1 MkII

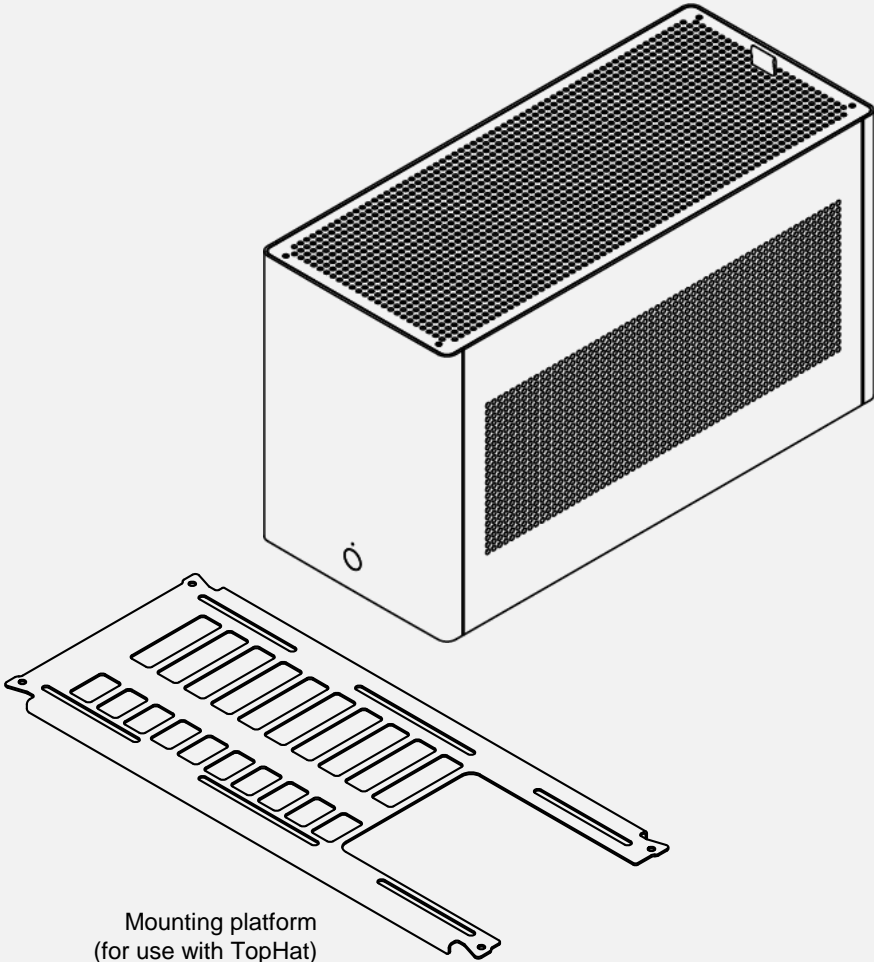
LQ-GHS102-CA

USER MANUAL (ENG)



GHOST S1 MkII USER MANUAL

BOX CONTENT



T10 torx key



4x M3x6 countersunk



4x M3x6 button head



8x M3x4 button head

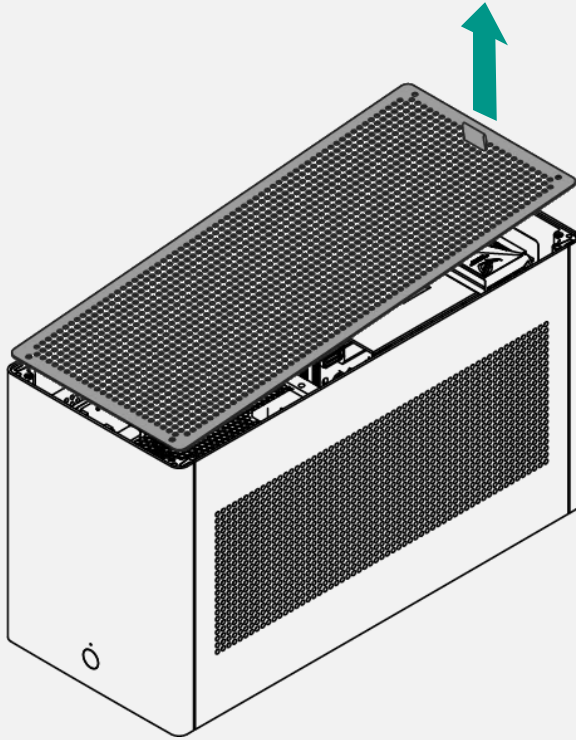


4x #6-32 UNC



GHOST S1 MkII USER MANUAL

ILLUSTRATION



ASSEMBLY STEPS

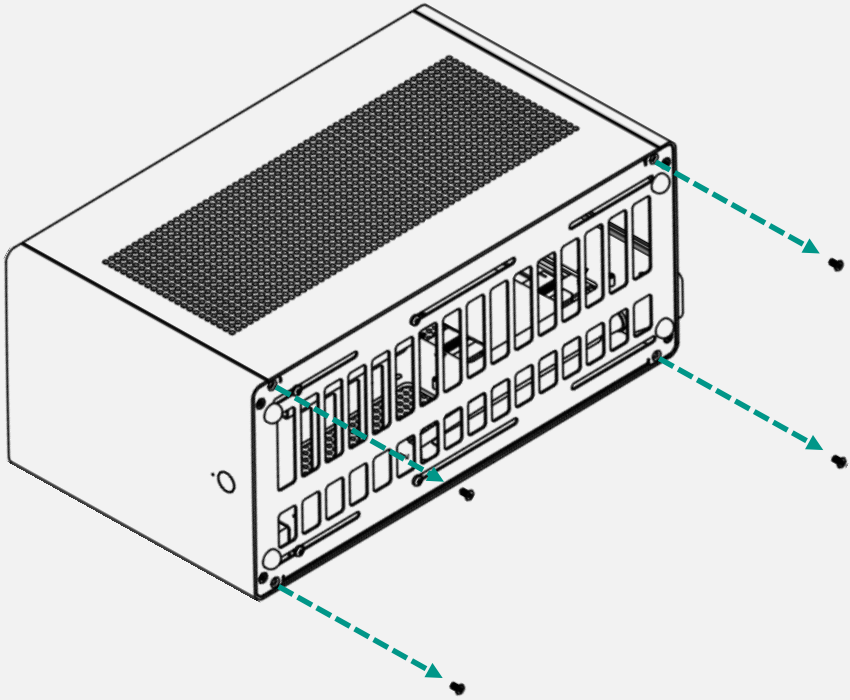
- Lift the grill away by pulling the rag tag in the back
- Take out the screws bag and the mounting platform

SCREWS



GHOST S1 MkII USER MANUAL

ILLUSTRATION



ASSEMBLY STEPS

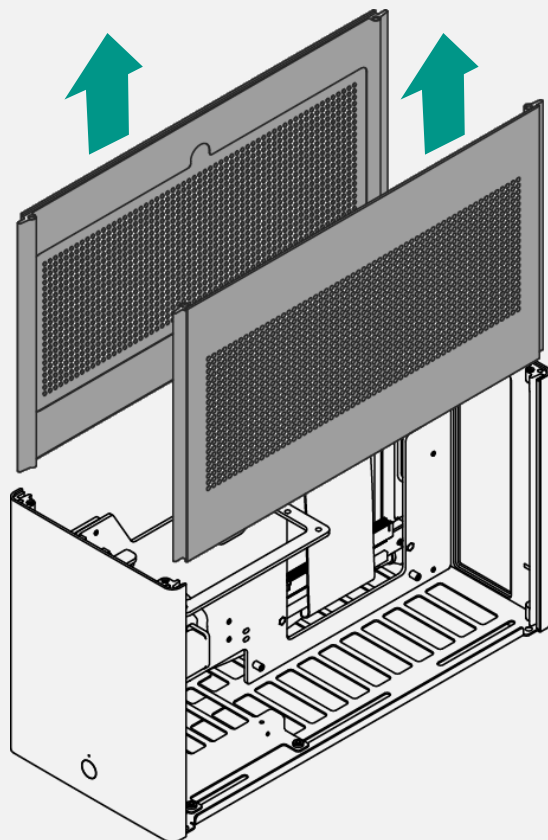
- Unscrew the 4 bottom screws that are holding down the side panels

SCREWS



GHOST S1 MkII USER MANUAL

ILLUSTRATION



ASSEMBLY STEPS

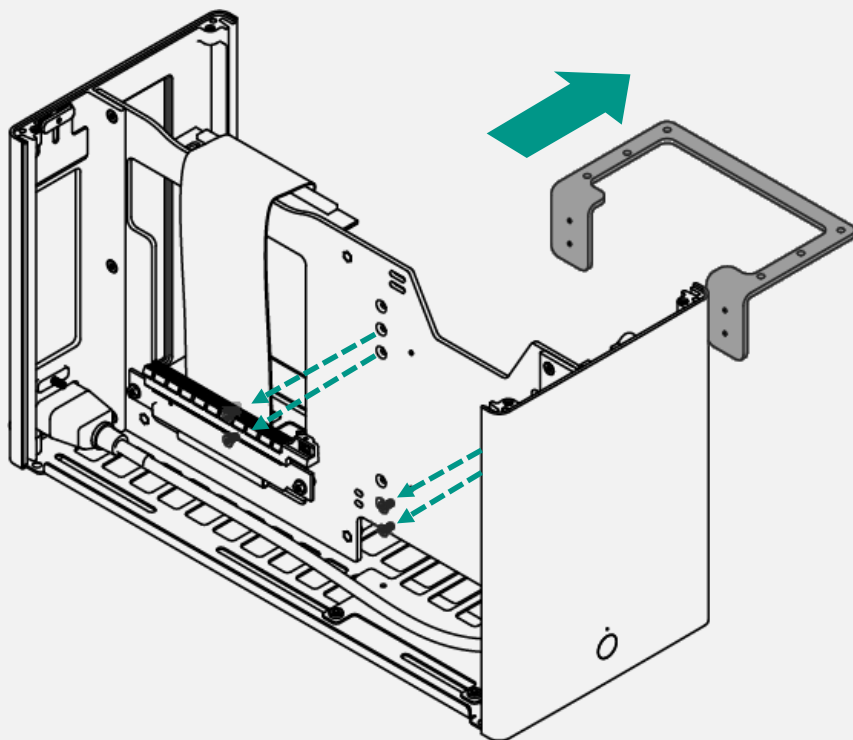
- Pull the side panels straight up and put them away

SCREWS



GHOST S1 MkII USER MANUAL

ILLUSTRATION



ASSEMBLY STEPS

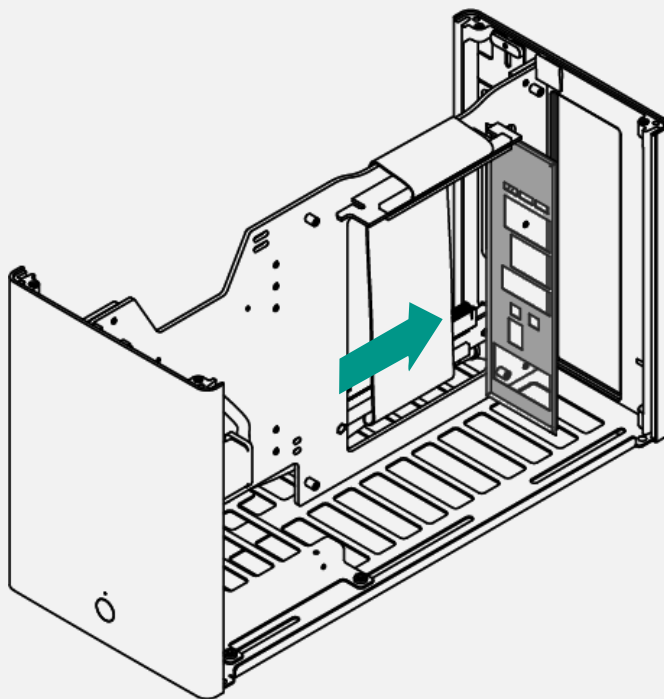
- Unscrew the PSU bracket

SCREWS



GHOST S1 MkII USER MANUAL

ILLUSTRATION



ASSEMBLY STEPS

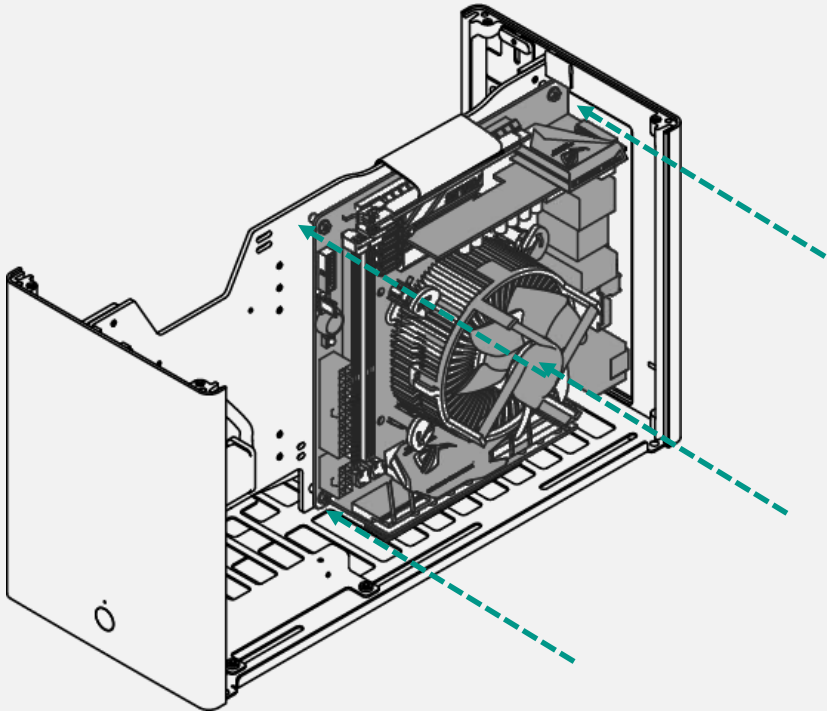
- Install the motherboard I/O shield

SCREWS



GHOST S1 MkII USER MANUAL

ILLUSTRATION



ASSEMBLY STEPS

- Install the motherboard and screw it in place
- Push the Riser cable connector into the PCI-e port on the motherboard

SCREWS



x4



GHOST S1 MkII USER MANUAL

ILLUSTRATION



ASSEMBLY STEPS

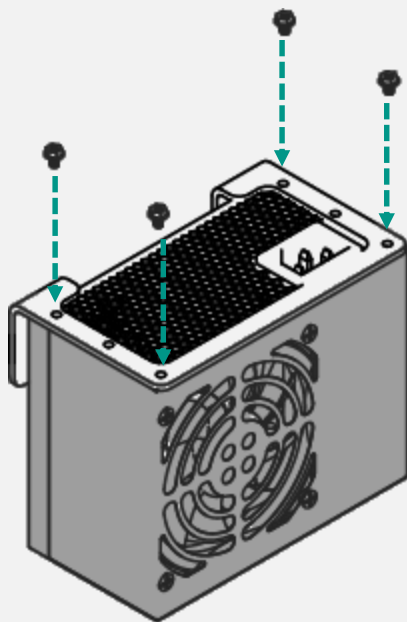
- Connect the LED cables (white LED+, grey LED-)
- Connect the power switch cables (brown and black)

SCREWS



GHOST S1 MkII USER MANUAL

ILLUSTRATION



ASSEMBLY STEPS

- Screw the PSU to the PSU bracket

SCREWS

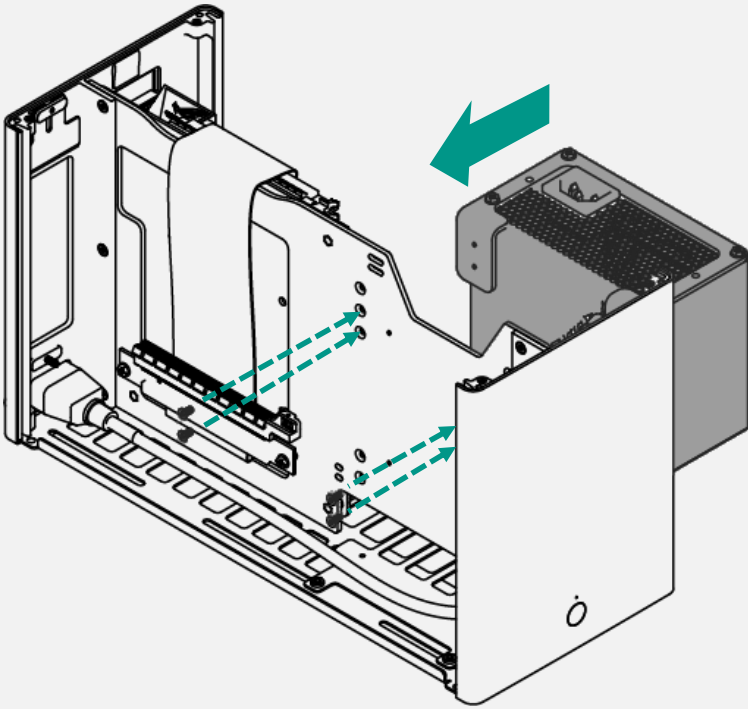


x4



GHOST S1 MkII USER MANUAL

ILLUSTRATION



ASSEMBLY STEPS

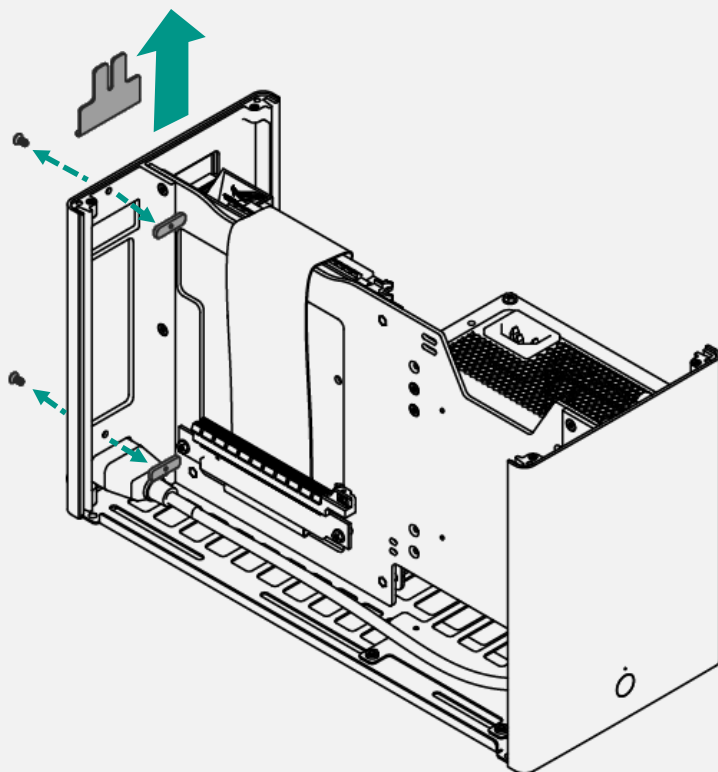
- Connect the power cables needed to the PSU and feed them to the approximate position
- Screw the PSU bracket back in place
- Connect the 24-pin power cable to the motherboard and the CPU power (if needed)

SCREWS



GHOST S1 MkII USER MANUAL

ILLUSTRATION



ASSEMBLY STEPS

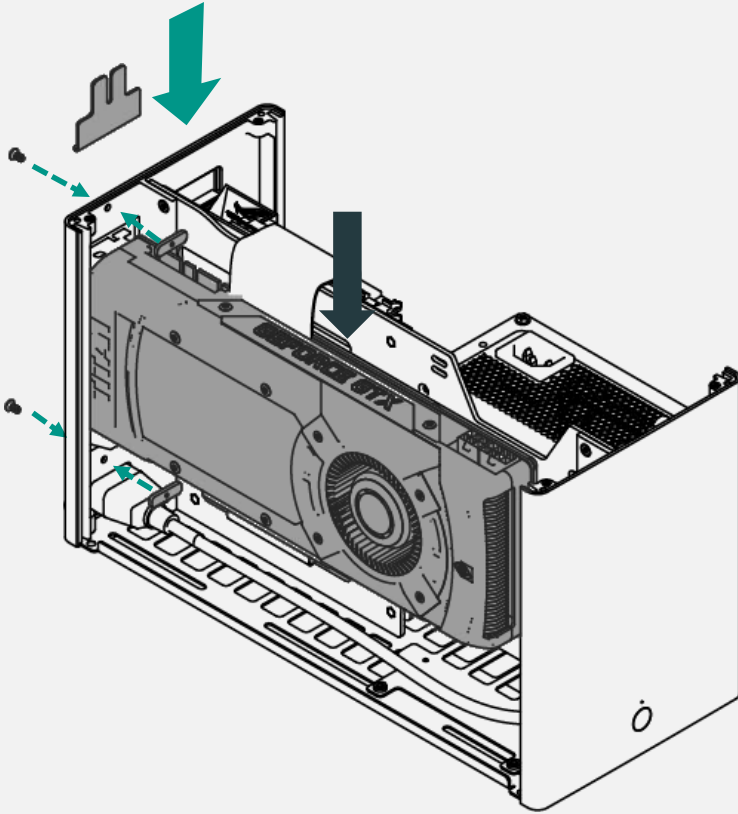
- Unscrew the GPU cover plate
- Remove the bottom flat nut

SCREWS



GHOST S1 MkII USER MANUAL

ILLUSTRATION



ASSEMBLY STEPS

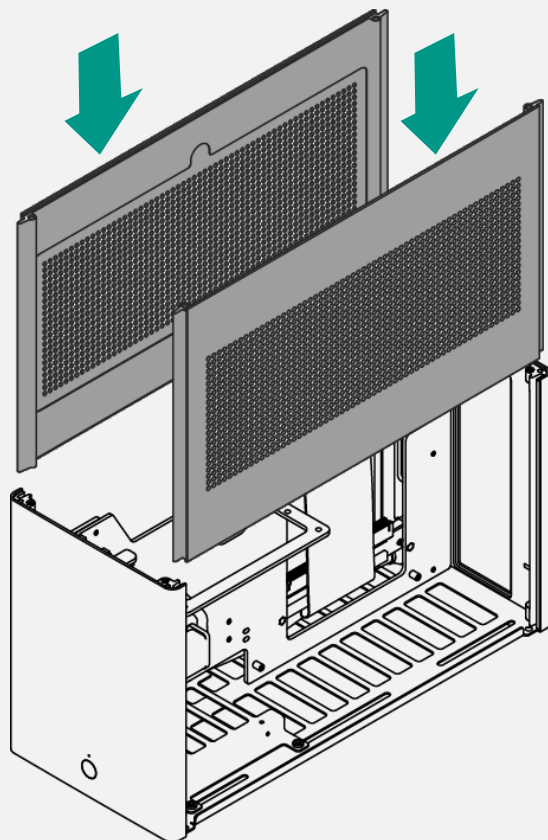
- Mount the GPU and fixate it by screwing the bottom flat nut in place
- Slide in the GPU cover late in place and screw it tight with the top flat nut
- Connect PCI-e power cables if needed

SCREWS



GHOST S1 MkII USER MANUAL

ILLUSTRATION



ASSEMBLY STEPS

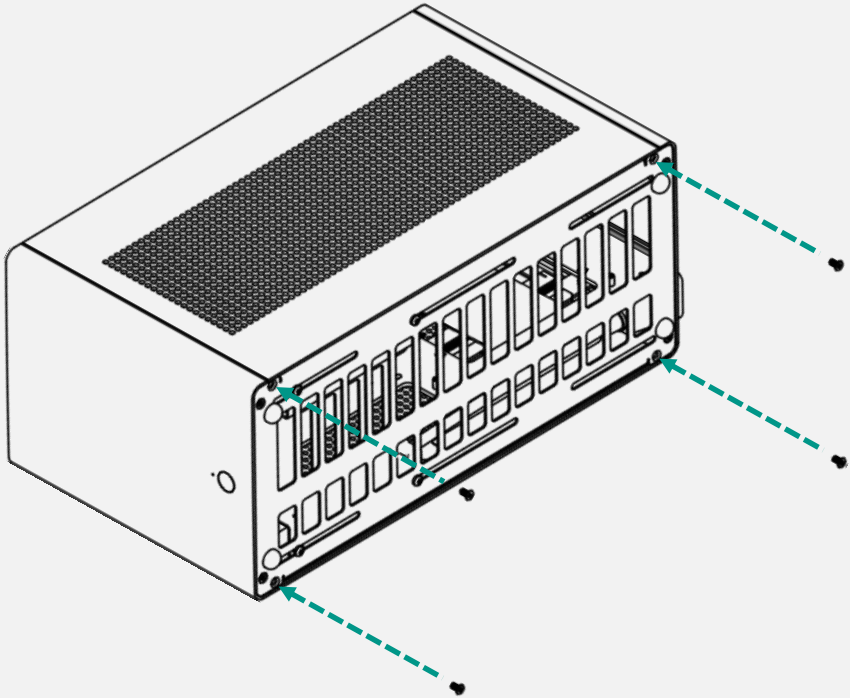
- Slide down the side panels

SCREWS



GHOST S1 MkII USER MANUAL

ILLUSTRATION



ASSEMBLY STEPS

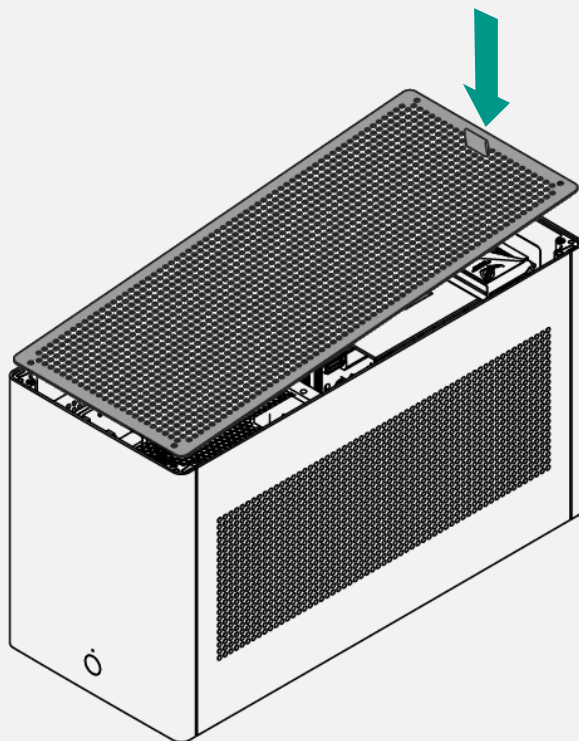
- Fix the side panels to the case with screws from the bottom

SCREWS



GHOST S1 MkII USER MANUAL

ILLUSTRATION



ASSEMBLY STEPS

- Place the grill on top of the case

SCREWS





LOUQE AB
Designed in Sweden
hello@louqe.com www.louqe.com