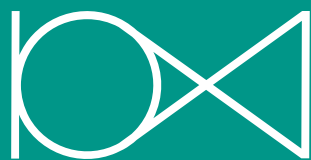


GHOST S1 TOPHAT MkII

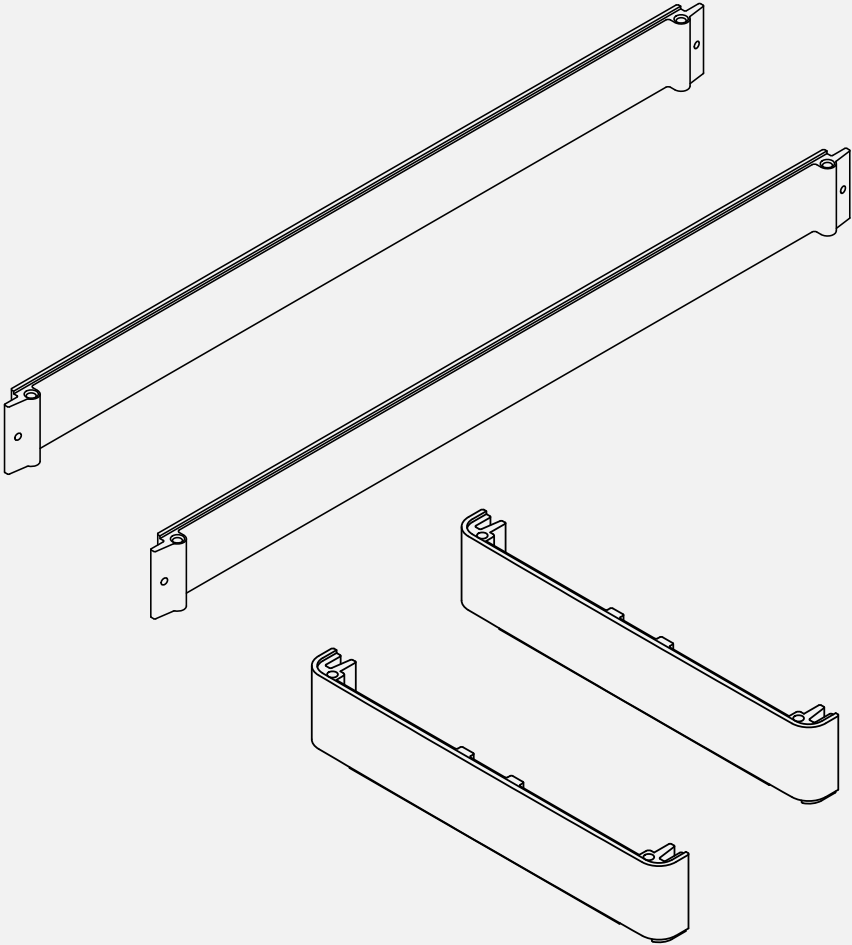
LQ-GHS102-TA

USER MANUAL (ENG)



GHOST S1 MkII USER MANUAL

BOX CONTENT



8x M3x4 button head



4x M3x6 button head

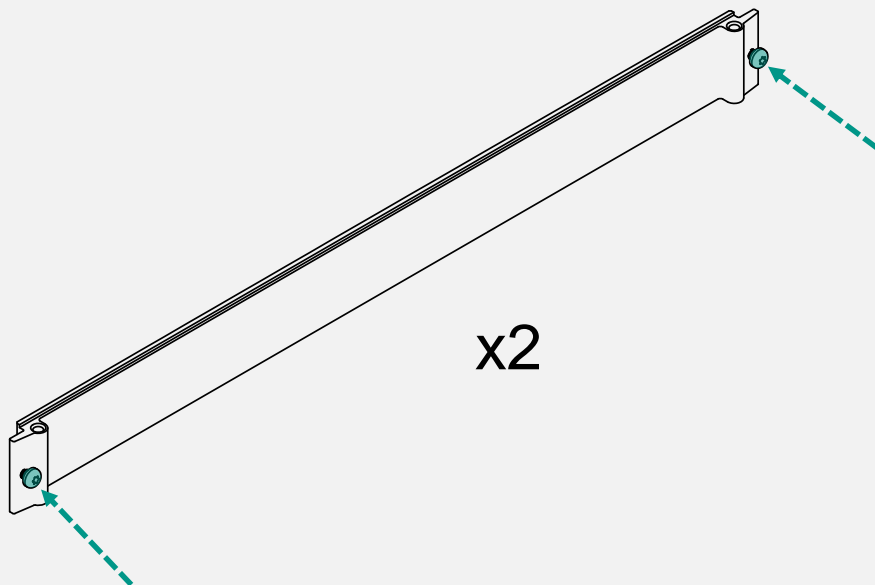


LOUQE AB
Designed in Sweden
hello@louqe.com www.louqe.com

TOPHAT ASSEMBLY

GHOST S1 MkII USER MANUAL

ILLUSTRATION



ASSEMBLY STEPS

- Loosely screw in the shorter screws into the sides of the TopHat

SCREWS

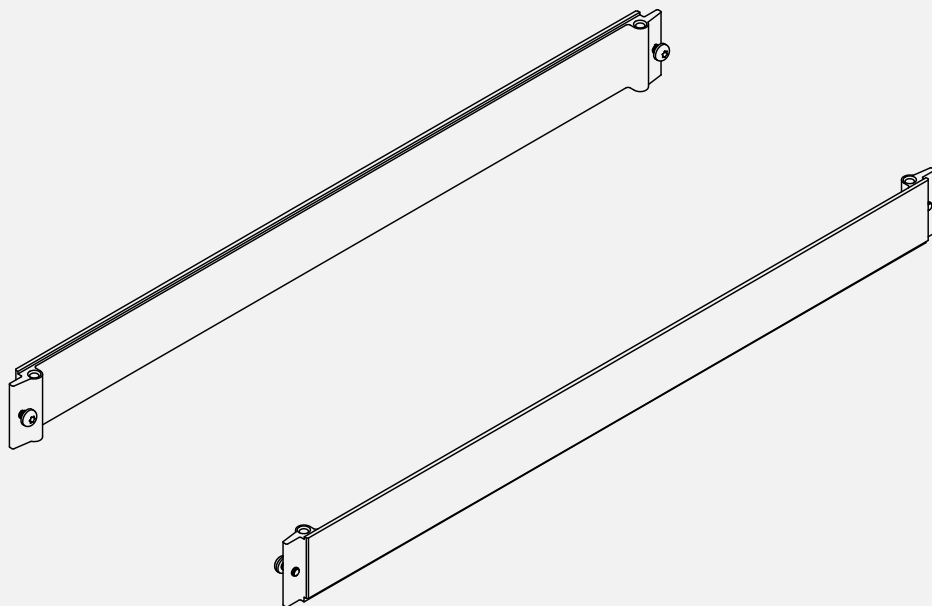


x4



GHOST S1 MkII USER MANUAL

ILLUSTRATION



ASSEMBLY STEPS

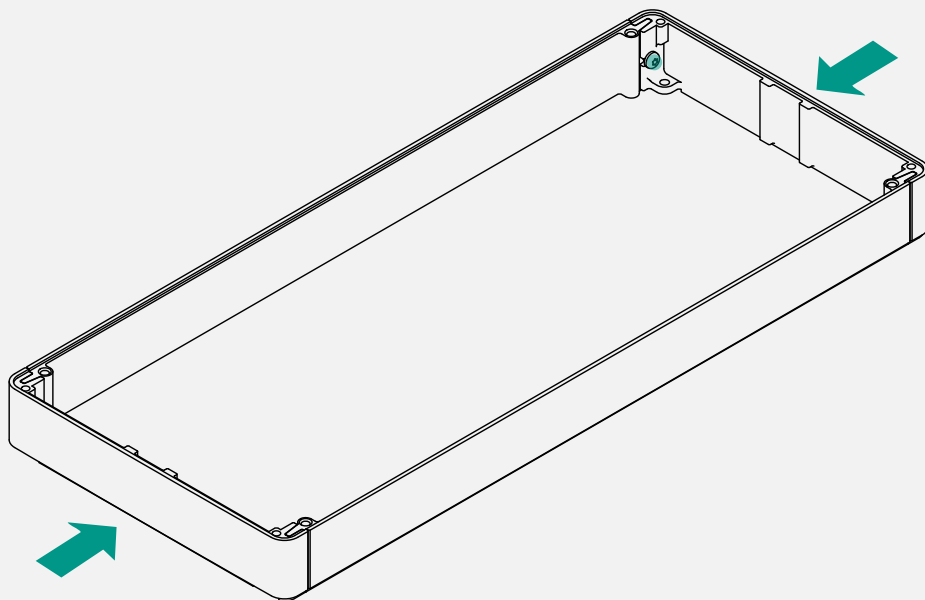
- Place the two sides parallel to each other

SCREWS



GHOST S1 MkII USER MANUAL

ILLUSTRATION



ASSEMBLY STEPS

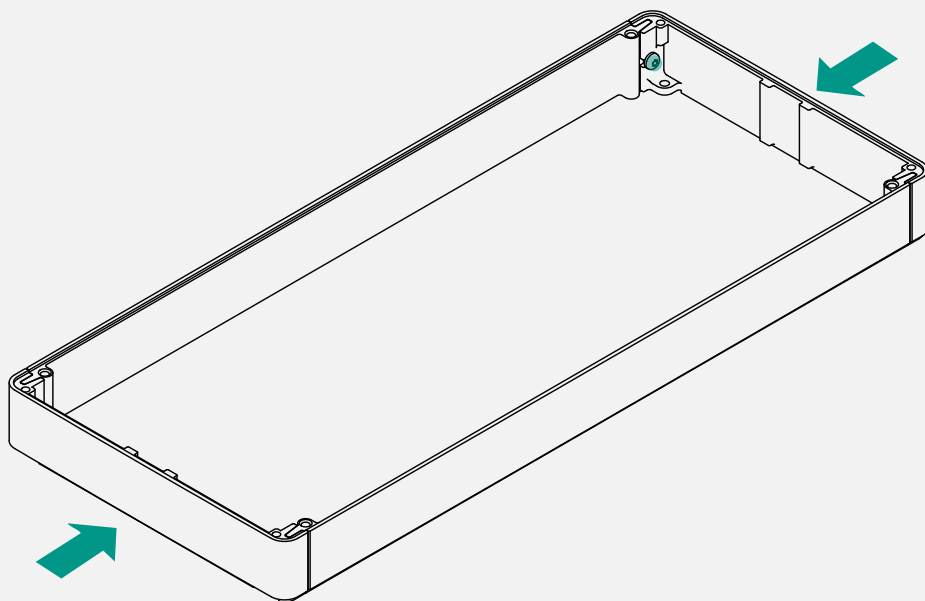
- Slide in the gables
- Tighten the 4 screws

SCREWS



GHOST S1 MkII USER MANUAL

ILLUSTRATION

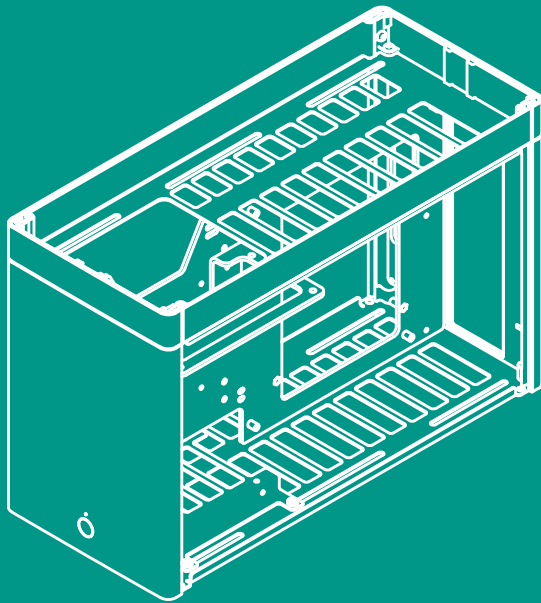


ASSEMBLY STEPS

- Slide in the gables
- Tighten the 4 screws

SCREWS

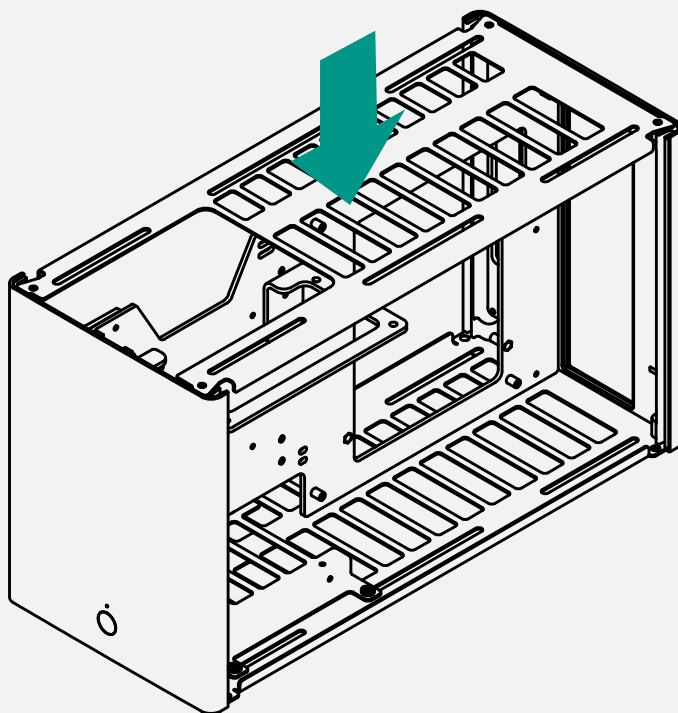




TOPHAT MOUNTING
TOP POSITION

GHOST S1 MkII USER MANUAL

ILLUSTRATION



ASSEMBLY STEPS

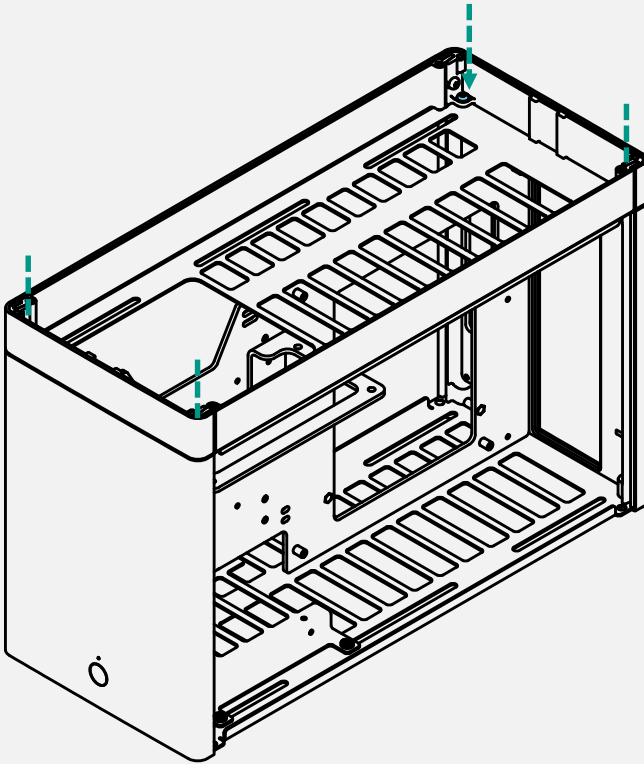
- Place the platform on top of the case

SCREWS



GHOST S1 MkII USER MANUAL

ILLUSTRATION



ASSEMBLY STEPS

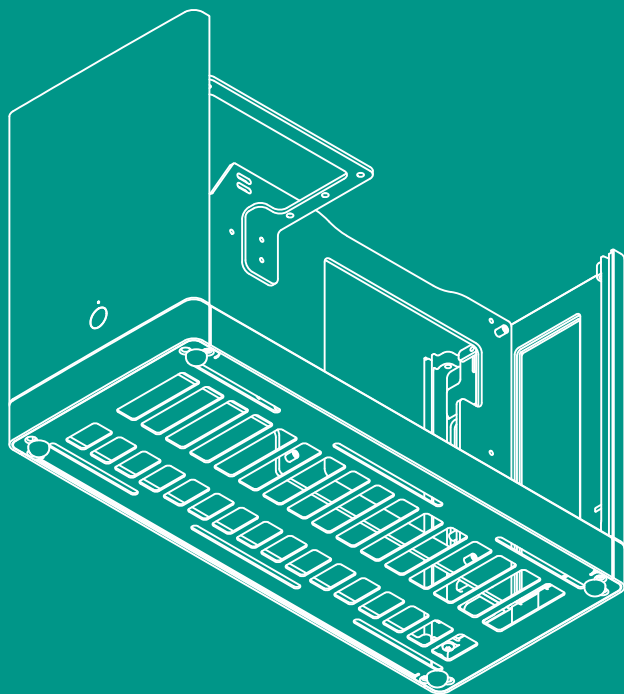
- Place the TopHat on top of the platform
- Screw down the TopHat to the case

SCREWS



x4

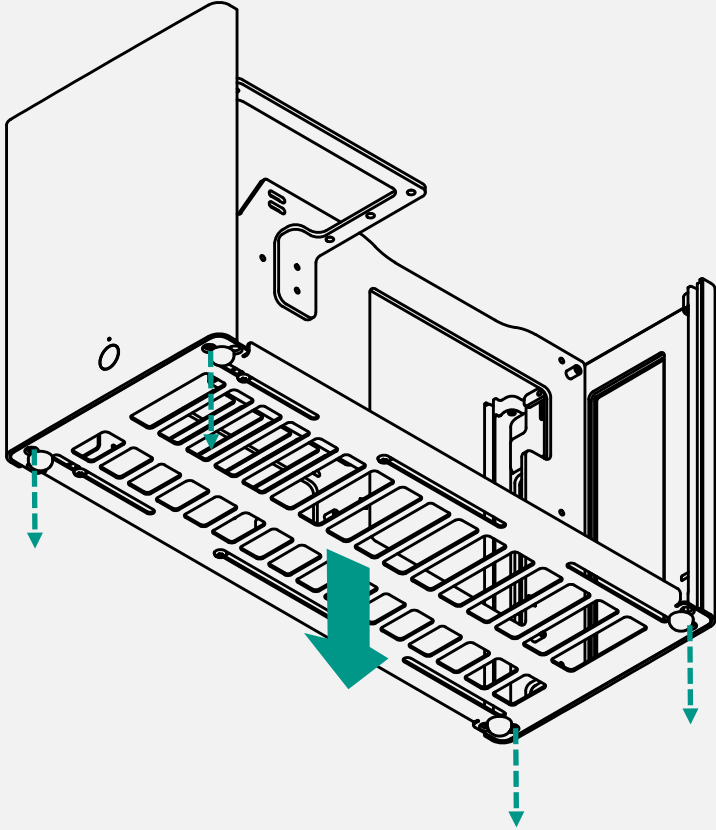




TOPHAT MOUNTING
BOTTOM POSITION

GHOST S1 MkII USER MANUAL

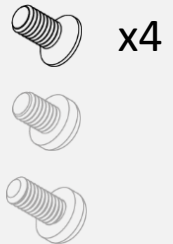
ILLUSTRATION



ASSEMBLY STEPS

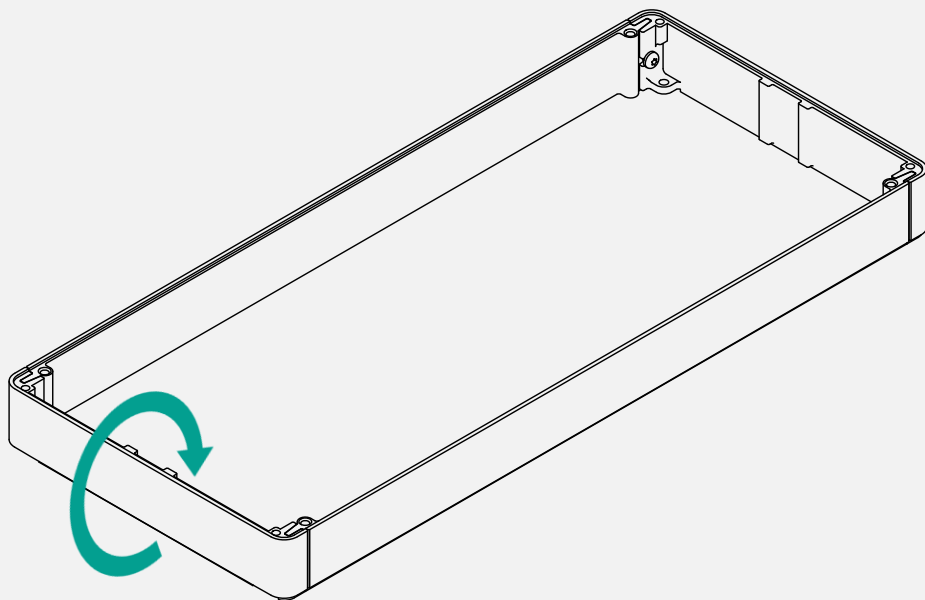
- Unscrew the 4 screws that are holding the bottom plate in place and remove it

SCREWS



GHOST S1 MkII USER MANUAL

ILLUSTRATION



ASSEMBLY STEPS

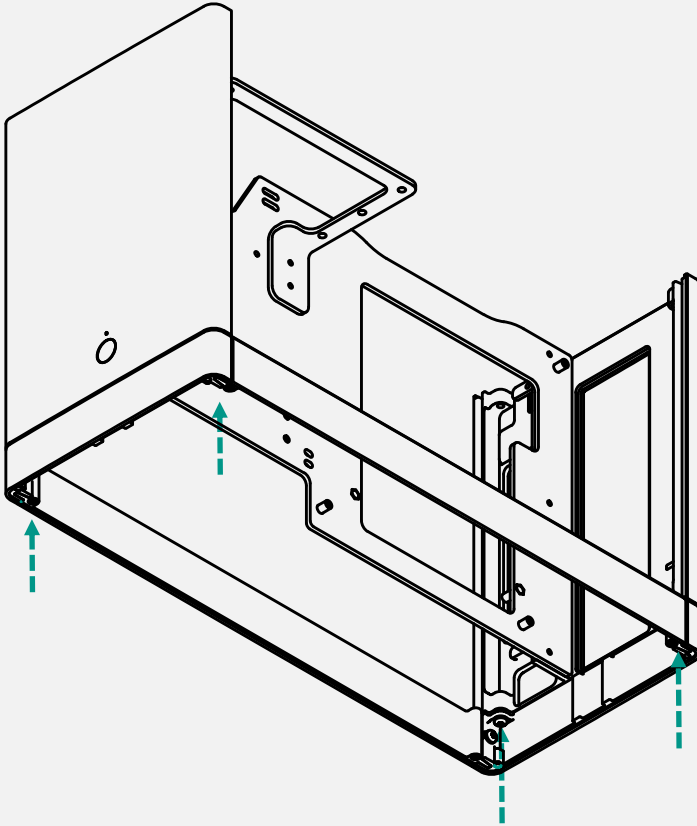
- Flip the TopHat upside down

SCREWS



GHOST S1 MkII USER MANUAL

ILLUSTRATION



ASSEMBLY STEPS

- Place the TopHat in the bottom of the case and screw it in place

SCREWS

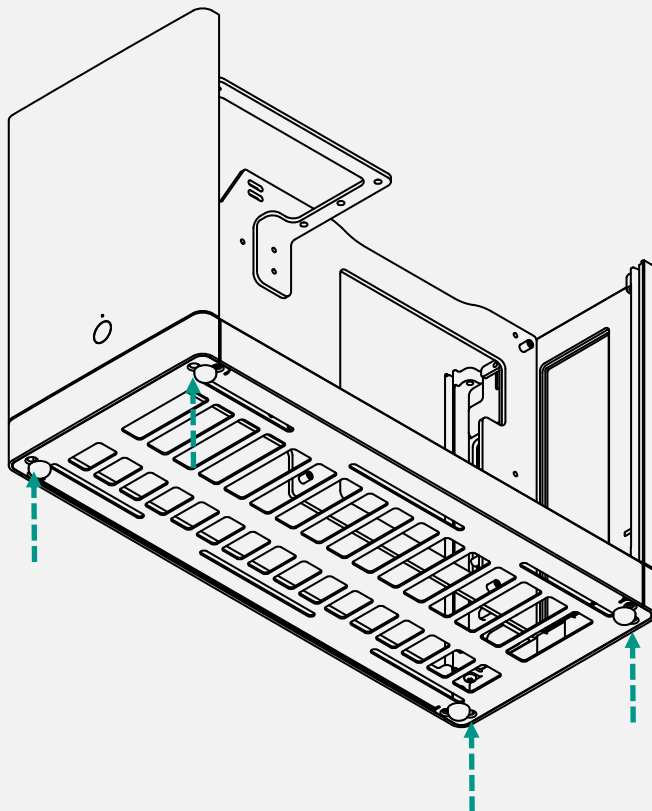


x4



GHOST S1 MkII USER MANUAL

ILLUSTRATION



ASSEMBLY STEPS

- Place the bottom plate at the bottom and screw it in place

SCREWS





LOUQE AB
Designed in Sweden
hello@louqe.com www.louqe.com